

Workshop on FPGA PROGRAMMING AND ITS APPLICATIONS

26th -27th AUGUST, 2016

Application Form

Name (Block Letters) : _____

Department : _____

Semester/Year : _____

Institution : _____

Address for Correspondence:

Phone : _____

E-mail : _____

Fee Details:

Registration Fee : Rs. 750/-

Accommodation Fee : Rs. 250/- per day
(Includes Boarding and Lodging)

Accommodation Required: Yes/No

Details of D.D:

D.D Amount (Rs): _____ D.D No.: _____

Date: _____ Bank: _____

Declaration:

The above mentioned information is true to the best of my knowledge. I agree to abide by the rules and regulations of MCET. If selected, I shall attend the entire duration of the training programme.

Signature

Place : _____

Date : _____

Organizing Committee

Chief Patron : Dr.M.MANICKAM,
Chairman, MCET

Patron : Mr.M.HARIHARA SUDHAN,
Correspondent, MCET

Chairman : Prof. C. RAMASAMY,
Secretary,
NIA Educational Institutions

Co-Chairman : Dr. S. VIJAYARANGAN,
Director (Academic), MCET

Dr. M. RAMAKRISHNAN,
Principal, MCET

Dr. A. RATHINAVELU,
Vice Principal, MCET

Conveners : Dr. V. LAKSHMINARAYANAN,
HoD /EIE, MCET

Dr. K.VIJAYAKUMAR,
HoD /ICE, MCET

Coordinators : Mr. P.KATHIRVEL,
AP/ICE, MCET

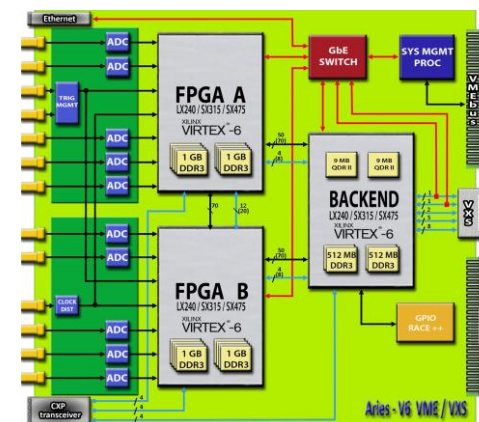
: Mr. L. JAYARAMAN,
AP/EIE, MCET

: Mr. U.RAJKANNA,
AP/EIE, MCET

: Mr.T.KARTHICKKUMAR,
AP/EIE, MCET

**TWO DAY WORKSHOP ON FPGA
PROGRAMMING AND ITS APPLICATIONS**

26th & 27th -AUGUST,2016



Dr. MAHALINGAM



COLLEGE OF ENGINEERING AND TECHNOLOGY
Enlightening Technical Minds

Organized by

Department of Electronics and Instrumentation

**Dr. Mahalingam College of Engineering and
Technology**

(An Autonomous Institution)

Pollachi-642003

www.mcet.in

About the Institution

Dr. Mahalingam College of Engineering and Technology (MCET) was established in the year 1998 with a mission to impart high quality competency based education in Engineering and Technology to the younger generation to equip them with the required skills and abilities to face the challenging needs of the industry around the globe. MCET is an Autonomous; Self-financing, Coeducational Engineering College and it is approved by the All India Council for Technical Education (AICTE), New Delhi and affiliated to Anna University, Chennai. The Institute has been accredited by the National Board of Accreditation (NBA) and NAAC with 'A' grade and is ISO 9001:2008 certified by TUV. The MCET currently offers 8 UG, 6 PG and 3 Doctoral programs in Engineering and Technology.

About the Department

The Department of **Electronics and Instrumentation Engineering** started in the year 2011, is aiming to produce quality engineers with the knowledge of the latest trends and developments in Industrial Automation. The department provides a platform for the learners to equip themselves with the knowledge transferred from the faculty expertise, state-of-the-art laboratory facilities and software. To meet the industrial requirements of future engineers, students are enriched with industry driven curriculum, Extra credit courses conducted by industry experts and value added programmes such as PCB Design, PLC, DCS & HMI, Lab VIEW, MATLAB, Embedded systems, and Smart Sensors are offered.

About the Workshop

Many Embedded designers turn to FPGAs to avoid costly ASIC platform, particularly during the early design phases and the same FPGAs frequently remain in place as part of the end user product. Hence, FPGAs today are finding their way into more systems than ever before with their steadily increasing performance and density and their decreasing prices.

The two day workshop focus on the following

- Understand Xilinx FPGA architecture and design flow
- Working with FPGA development boards
- Implementing sequential and combinational logic inside the FPGA
- Interfacing the PWM to the converters and motor
- PID Controller Design
- Interfacing with hardware component like LED, LCD, ADC and DAC
- SPWM generation
- Integrating the Xilinx System Generator with MATLAB.

Resource Persons

Sessions will be handled by Resource persons from Advanced Micro Devices (AMD), Bengaluru.

Eligibility

UG/PG Students, Research Scholars and Academicians from Engineering Colleges

Application Procedure

The registration fee of Rs. 750/- is to be paid by DD in favour of "The Principal, Dr. Mahalingam College of Engineering and Technology", payable at Pollachi.

Last date for receiving application: 23.08.2016

Mailing Address:

The Head of the Department,

Department of EIE,
Dr. Mahalingam College of Engineering and Technology,
Udumalai Road,
Pollachi-642003
Coimbatore District, Tamilnadu
Mobile: 9894806591, 7667850985
Email: hod_ei@drmcet.ac.in,
jayaraman@drmcet.ac.in